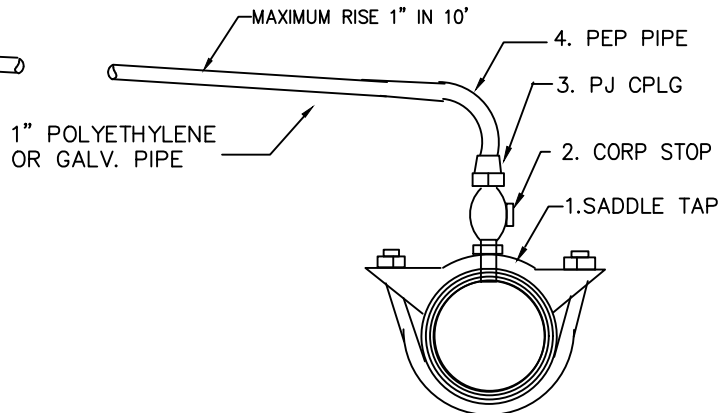


MINIMUM 12" OF DRAIN ROCK UNDER ASSEMBLY AND METER BOXES.



ITEM NO.	NO. REQ.	DESCRIPTION
1	1	ROMAC DOUBLE STRAP TAPPING SADDLE
2	1	1" BRONZE CORPORATION STOP
3	2	1" PACK JOINT AS REQUIRED
4	1	1" IPS POLYETHELENE OR GALV. PIPE
5	4	1" x 2" GALVANIZED NIPPLES
6	1	1" APPROVED BALL VALVE
7	4	ARMORCAST 12X20 RPM - MIN 3 REQ. PLUS 1 WITH LID
8	1	APCO (REGULAR) COMBINATION AIR RELEASE VALVE (150 PSI)
9	2	1" 90 DEGREE GALVANIZED ELBOWS
10	1	INSECT SCREEN

ISPPWC STANDARD # 408 AIR RELIEF VALVES

UNLESS OTHERWISE SPECIFIED, THESE APPURTENANCES SHALL BE OF THE MATERIAL SPECIFIED OR SHOWN ON THE PLANS AND SHALL MEET PRESSURE REQUIREMENTS EQUAL TO OR EXCEEDING THE MAIN INSTALLATION AND SHALL BE NSF-61 CERTIFIED.

REVISION	APPROVED	DATE	CITY OF COEUR d'ALENE STANDARD DRAWING <h1 style="margin: 0;">1" AIR RELIEF ASSEMBLY</h1>	APPROVED BY:	
				 CITY ENGINEER, PE 10602	4/13/18 DATE:
				DWG NO.	W-7