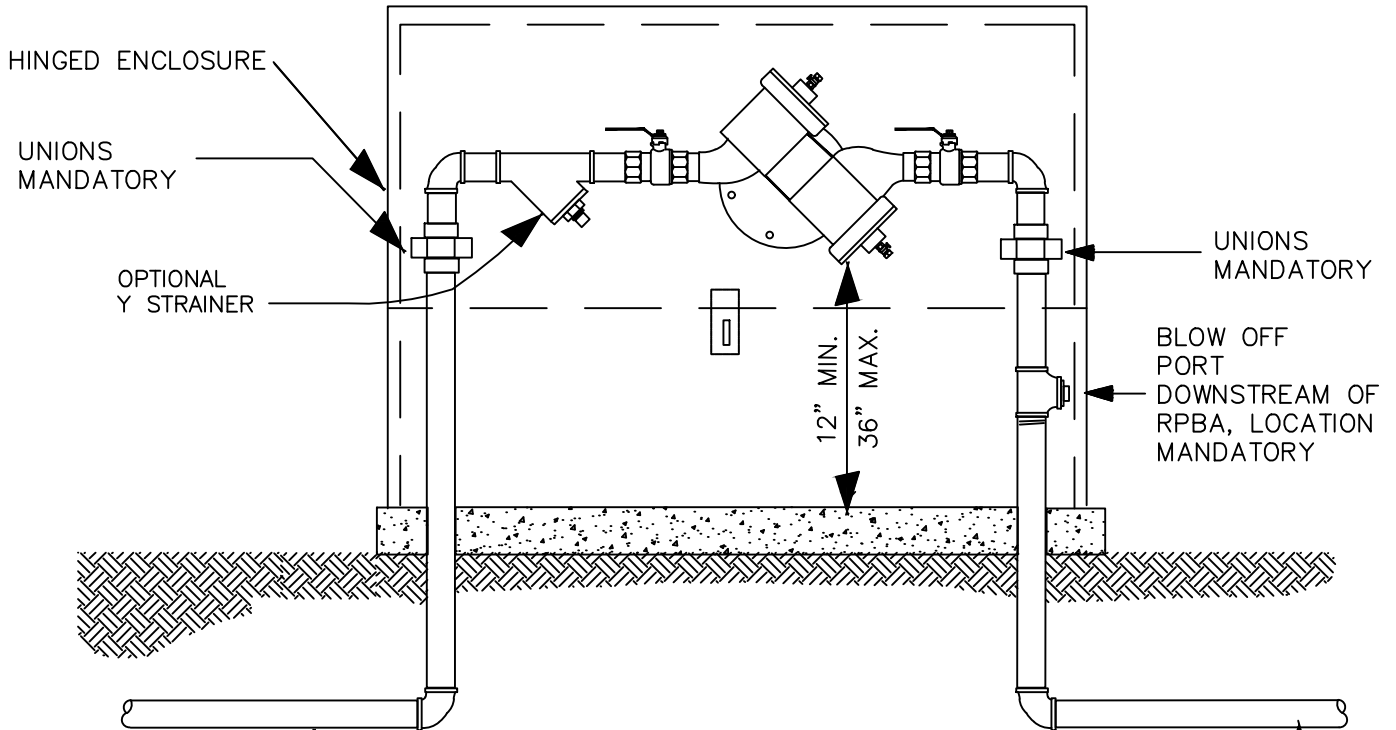
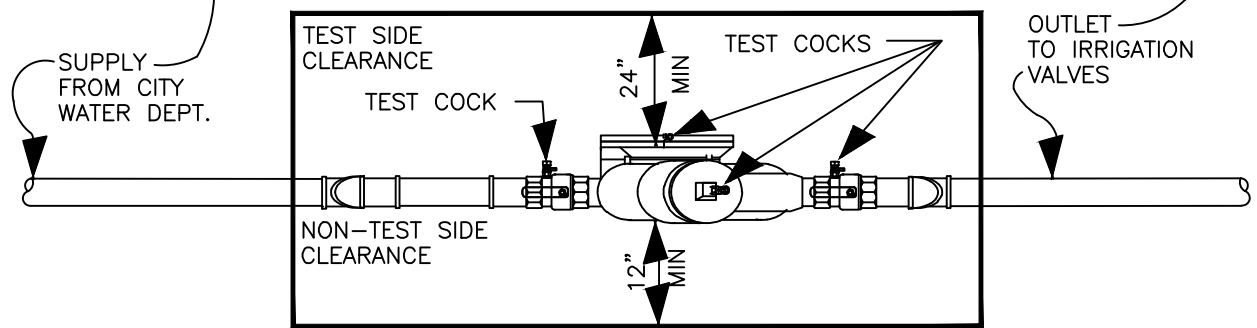


SIDE VIEW



TOP VIEW



NOTES:

1. BACKFLOW ASSEMBLY MUST MEET U.S.C./IDAPA STANDARDS AND SPECIFICATIONS, PLEASE CALL BEFORE ORDERING.
2. ASSEMBLIES MUST BE INSTALLED ABOVE GRADE IN A HORIZONTAL ORIENTATION ONLY.
3. ENCLOSURE FOR OUTDOOR PROTECTION OF THE ASSEMBLY IS ALLOWED, BUT MUST PROVIDE IMMEDIATE TOP ACCESS OF 12" FOR TESTING AND MAINTENANCE.
4. TEST COCKS ARE REQUIRED TO FACE AWAY FROM WALLS AND NEAREST STATIONARY OBJECT, AND AT NO TIME BE LESS THAN 24" CLEARANCE.
5. IF A DEDICATED IRRIGATION SERVICE, THERE MUST BE NO BRANCH PIPING OR TEES CONNECTED TO THE SUPPLY PIPE BETWEEN THE CITY SERVICE SUPPLY LINE AND THE ASSEMBLY.
6. ALL MEASUREMENTS ARE FROM THE LOWEST OR WIDEST PART OF THE ASSEMBLY.
7. ALL ASSEMBLIES ARE SUSCEPTIBLE TO FREEZING AND SHALL BE ADEQUATELY FREEZE PROTECTED.
8. ADEQUATE DRAINAGE FROM THE ASSEMBLY MUST BE PROVIDED.
9. NO ASSEMBLIES OR ENCLOSURES ARE TO BE INSTALLED OVER THE WATER METER VAULT.
10. BLOW OFF PORT MUST BE DOWNSTREAM OF ASSEMBLY.



CITY OF COEUR D'ALENE STANDARD DRAWING

**TYPICAL APPROVED RP
FOR IRRIGATION SYSTEM**

APPROVED BY:

Chris Bosley
CITY ENGINEER, PE 10804

10/1/24
DATE:

DWG NO.

W-31