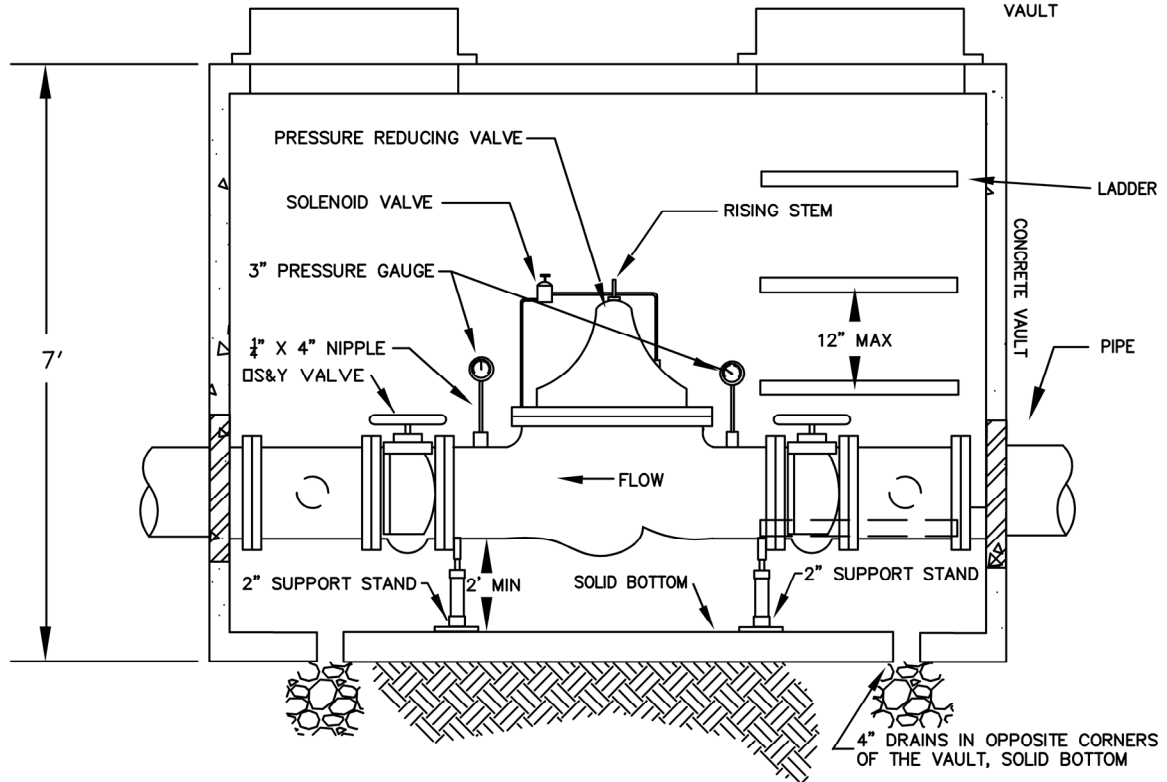


SEE METER VAULT DETAIL,  
STANDARD DRAWING W-17  
FOR 1914 SERIES WILBERT  
VAULT



PLAN VIEW



CITY OF COEUR D'ALENE STANDARD DRAWING

**PRESSURE REDUCING  
STATION ASSEMBLY**

APPROVED BY:

*Chris Bosley*  
CITY ENGINEER, PE 10804

10/1/24  
DATE:

DWG NO.

W-19