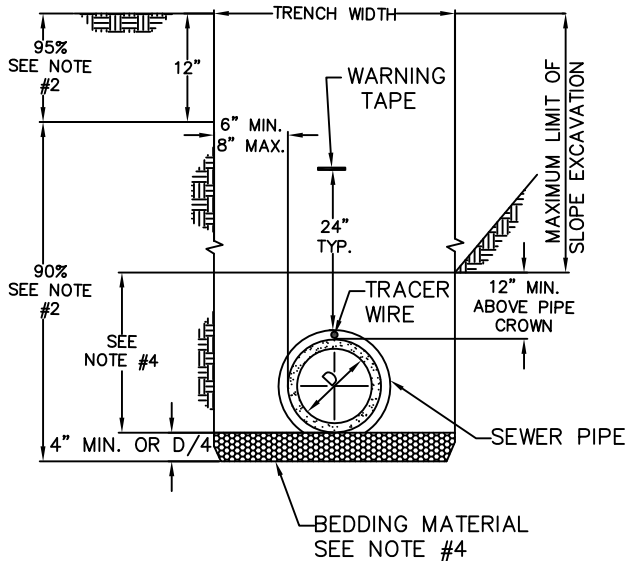
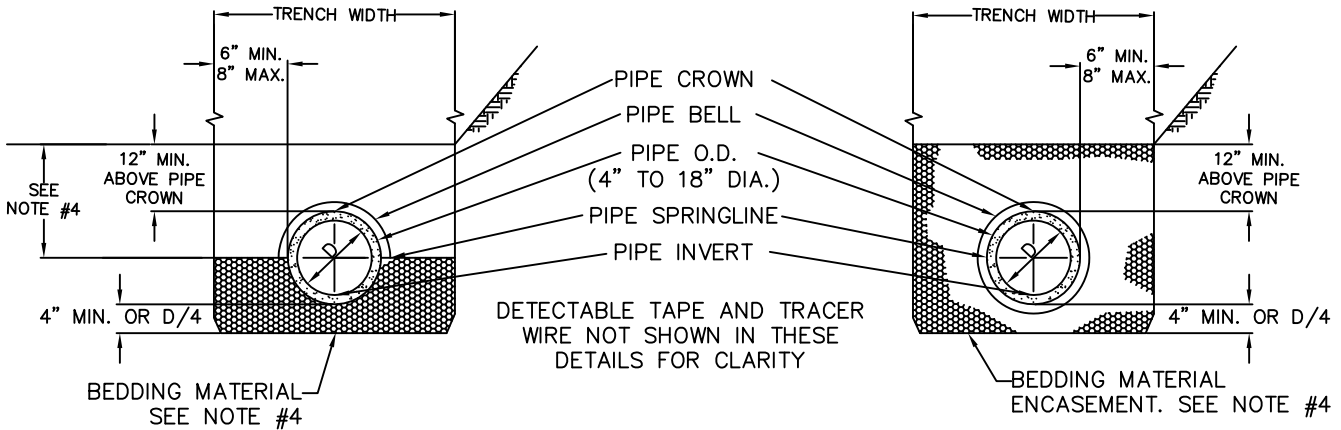


# NOTES THIS DETAIL:

1. FOR TRENCHING WITHIN IMPROVED STREETS, SEE STD. DWG. M-11 FOR TRENCH RESURFACING SPECIFICATIONS.
2. MINIMUM RELATIVE COMPACTION USING A MODIFIED PROCTOR (ASTM D-1557). SUBMIT ALL COMPACTION TEST REPORTS TO CITY.
3. UNLESS PRE-APPROVED BY THE CITY, MINIMUM COVER OVER THE TOP OF ALL NEWLY INSTALLED PIPE TO FINISH GRADE SHALL BE 5 FEET (MIN.).
4. BEDDING MATERIAL SHALL BE SAND, GRAVEL, CRUSHED AGGREGATE, OR NATIVE GRANULAR MATERIAL HAVING A SAND EQUIVALENT NO LESS THAN 12% BY WEIGHT PASSING A #200 SCREEN AND 100% PASSING A #4 SCREEN.
5. WHEN APPLICABLE (UNIQUE SEWERS & FORCE MAINS) CONTINUOUS #10 SOLID T.H.H.N. TRACER WIRE SHALL BE TAPED DIRECTLY TO TOP OF PIPE. ALL BREAKS SHALL BE SPliced WITH 3M SPlice KIT OR EQUIVALENT "WATERTIGHT" SPlice KIT. TRACER WIRE SHALL EXTEND TO FINISH GRADE INSIDE ALL LOCATING WIRE BOXES AND SEWER STRUCTURES. SEE STD DWG SS-10.
6. DETECTABLE WARNING TAPE MARKED "SEWER LINE BELOW" SHALL EXTEND CONTINUOUSLY 24" ABOVE ALL NEWLY INSTALLED SEWER LINES INCLUDING LATERALS.



**TYPE A TRENCH**  
STANDARD INSTALLATION FOR  
NATIVE INSITU SANDY MATERIAL



**TYPE B TRENCH**  
REQUIRED WHEN HARD ROCK OR  
GRAVEL IS WITHIN 6" OF PIPE  
INVERT, BUT BELOW SPRINGLINE.

**TYPE C TRENCH**  
ROCK ENVELOPE REQUIRED WHEN  
HARD ROCK OR GRAVEL IS AT  
AND/OR ABOVE PIPE SPRINGLINE

REVISION	APPROVED	DATE	CITY OF COEUR d'ALENE STANDARD DRAWING	APPROVED BY:	
				<h2>SEWER TRENCH &amp; BACKFILL DETAIL</h2>	 CITY ENGINEER, PE 10804
			DWG NO.		SS-9