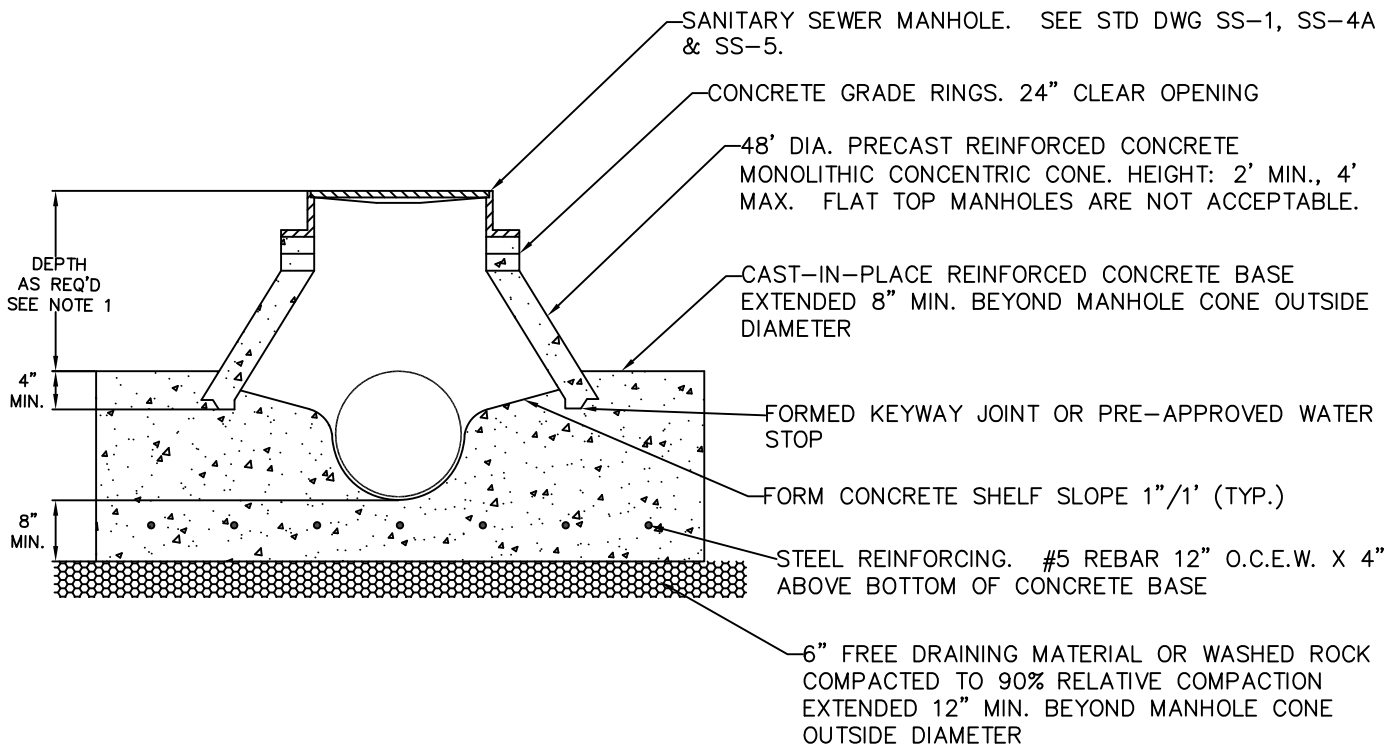
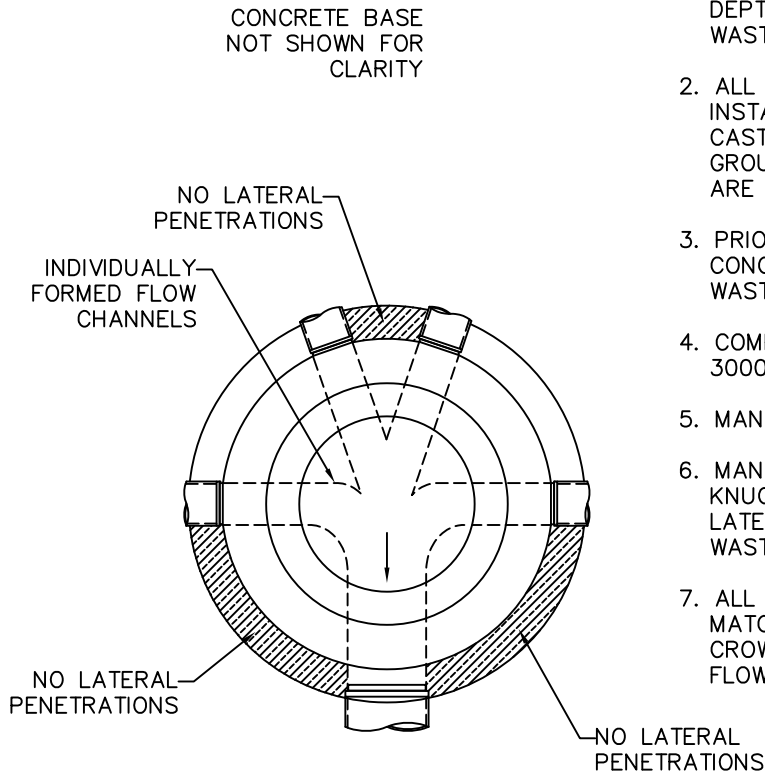


NOTES THIS DETAIL:

1. SHALLOW MANHOLES SHALL BE USED ONLY ON PUBLIC SEWER LINES GREATER THAN 3' AND LESS THAN 5' IN DEPTH AND MUST BE PRE-APPROVED BY THE WASTEWATER UTILITY.
2. ALL MANHOLE PIPE PENETRATIONS SHALL BE INSTALLED WITH WATERTIGHT PVC SAND COLLARS; CAST-IN-PLACE FOR NEW MANHOLES OR CORE & GROUT-IN-PLACE FOR EXISTING MANHOLES. BOOTS ARE NOT ACCEPTABLE.
3. PRIOR TO BACKFILL, CAST-IN-PLACE REINFORCED CONCRETE BASE SHALL BE CONSTRUCTED & CURED. WASTEWATER UTILITY INSPECTION IS REQUIRED.
4. COMPRESSIVE STRENGTH OF CONCRETE SHALL BE 3000 PSI MINIMUM.
5. MANHOLE STEPS ARE NOT ACCEPTABLE.
6. MANHOLES LOCATED IN CUL-DE-SACS, STREET KNUCKLES OR TERMINUS MANHOLES MAY HAVE LATERAL PENETRATIONS PRE-APPROVED BY THE WASTEWATER UTILITY AS SHOWN HEREIN.
7. ALL INLET PIPE PENETRATIONS ARE REQUIRED TO MATCH PIPE CROWN ELEVATIONS TO OUTLET PIPE CROWN ELEVATION AND HAVE INDIVIDUALLY FORMED FLOW CHANNELS.



CITY OF COEUR D'ALENE STANDARD DRAWING

SHALLOW MANHOLE TERMINUS/LATERALS

APPROVED BY:

Chris Bosley
CITY ENGINEER, PE 10804

10/1/24
DATE:

DWG NO.

SS-1A