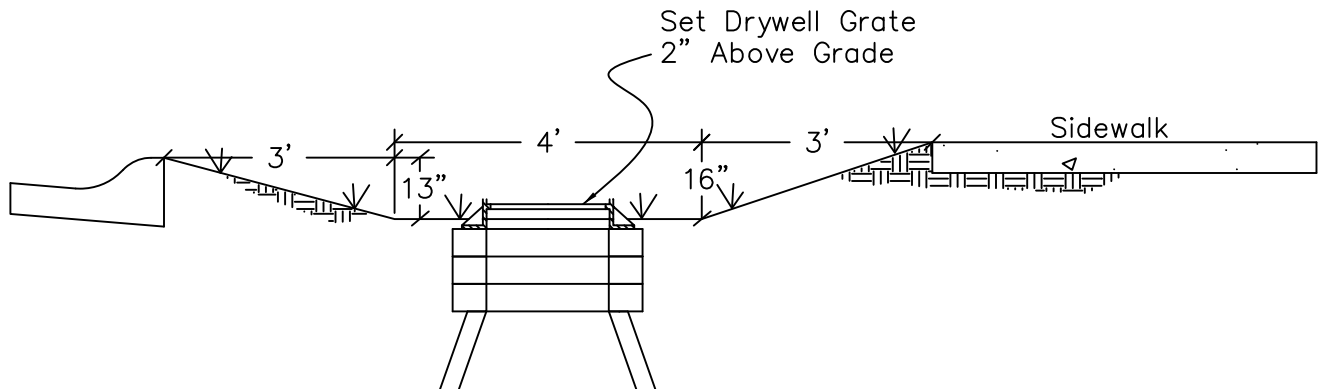


STANDARD CURB AND GUTTER SECTION



ROLLED CURB AND GUTTER SECTION

NOTES:

1. Swales infiltration rate shall meet or exceed the approved design rate.
2. See Standard Drawing **SD-6A AND SD-6B** for drywell details.
3. See Standard Drawing **C-17** for Inlet Apron detail.



CITY OF COEUR D'ALENE STANDARD DRAWING

GRASSY INFILTRATION SWALE

APPROVED BY:

Chris Bosley
CITY ENGINEER, PE 10804

10/1/24
DATE:

DWG NO.

SD-7