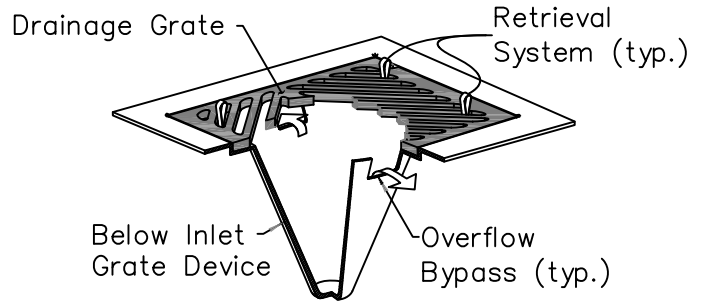
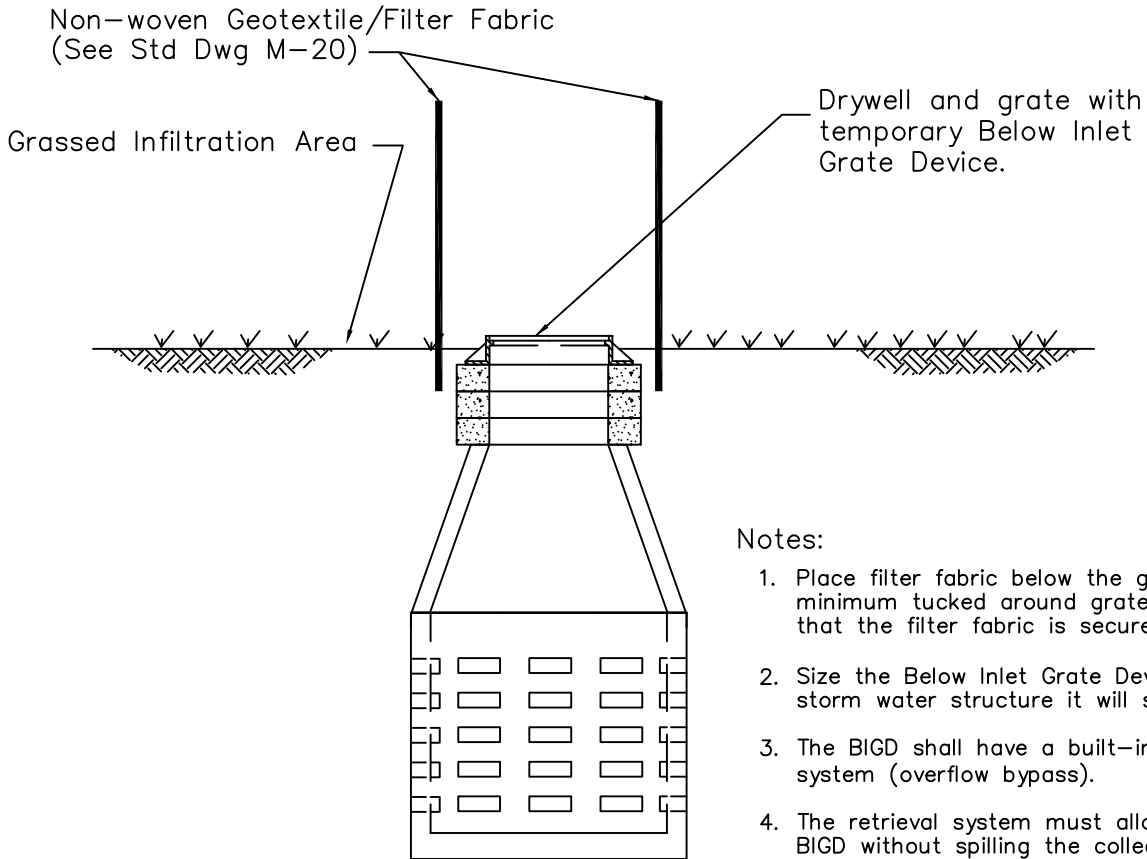


Catch Basin/Inlet
Not to Scale



Below Inlet Grate Device Detail
Not to Scale



Drywell
Not to Scale

Notes:

1. Place filter fabric below the grate with 0.5' minimum tucked around grate sides to ensure that the filter fabric is secure.
2. Size the Below Inlet Grate Device (BIGD) for the storm water structure it will service.
3. The BIGD shall have a built-in high-flow relief system (overflow bypass).
4. The retrieval system must allow removal of the BIGD without spilling the collected material.
5. Perform maintenance in accordance with Std Dwg M-16.

1.

REVISION	APPROVED	DATE	CITY OF COEUR d'ALENE STANDARD DRAWING	APPROVED BY:
			INLET PROTECTION	<i>Chris Bodley</i>
				CITY ENGINEER, PE 10804
				DATE: 5/30/18
				DWG NO. M-19