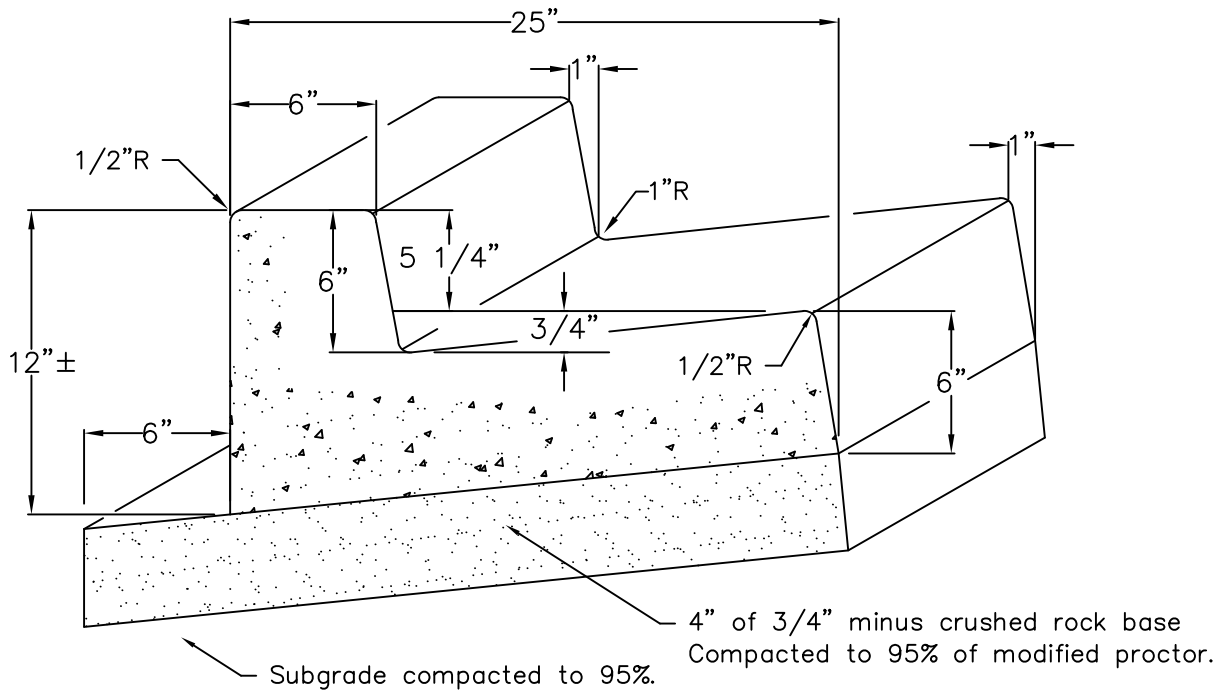


"Dump" Curb Option



Not to Scale

NOTES:

1. Weakened plane joints shall be installed every ten (10) feet with expansion joint filler at curb returns and every one hundred (100) feet per Standard Drawing C-5.
2. Machine-placed curb does not require expansion material.
3. When existing curb is removed care shall be taken not to disturb existing asphalt pavement. Refer to Standard Drawing M-11 for asphalt street repair.
4. Joints between existing and new curb shall be sawed.
5. A light broom finish is required.
6. Compressive Strength of Concrete shall be 4000 PSI minimum.
7. Ensure that grade breaks at pedestrian ramps are less than 13%.



CITY OF COEUR D'ALENE STANDARD DRAWING

APPROVED BY:

**STANDARD  
CURB AND GUTTER**

*Chris Bosley*  
CITY ENGINEER, PE 10804

10/1/24  
DATE:

DWG NO.

C-1