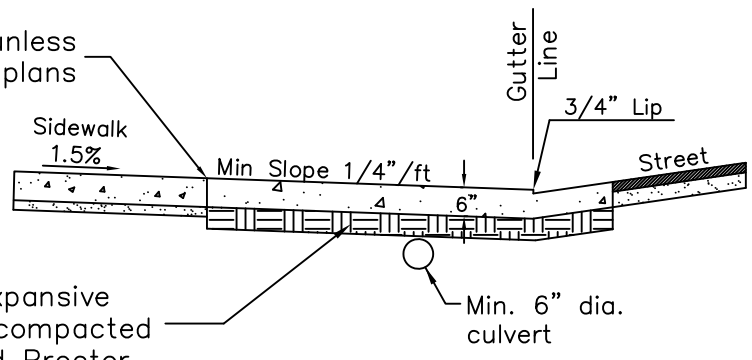


RADIUS APPROACH
NOT TO SCALE

Match existing unless otherwise shown on plans



4" min. of non-expansive granular material compacted to 95% of Modified Proctor

NOTES:

1. Radius shall be a minimum of 10 feet, maximum of 20 feet.
2. Concrete shall have a 28 day compressive strength of 4000 PSI.
3. Commercial/multi-family sidewalk shall be 6" thick through approach.
4. See Standard Drawing **C-13** for approach locations.
5. Culvert material shall be Schedule 40 or equal, with smooth interior wall.



CITY OF COEUR D'ALENE STANDARD DRAWING
COMMERCIAL APPROACH
WITH GRASSY SWALE

APPROVED BY:
Chris Bosley
CITY ENGINEER, PE 10804
DATE: 10/1/24
DWG NO. C-12