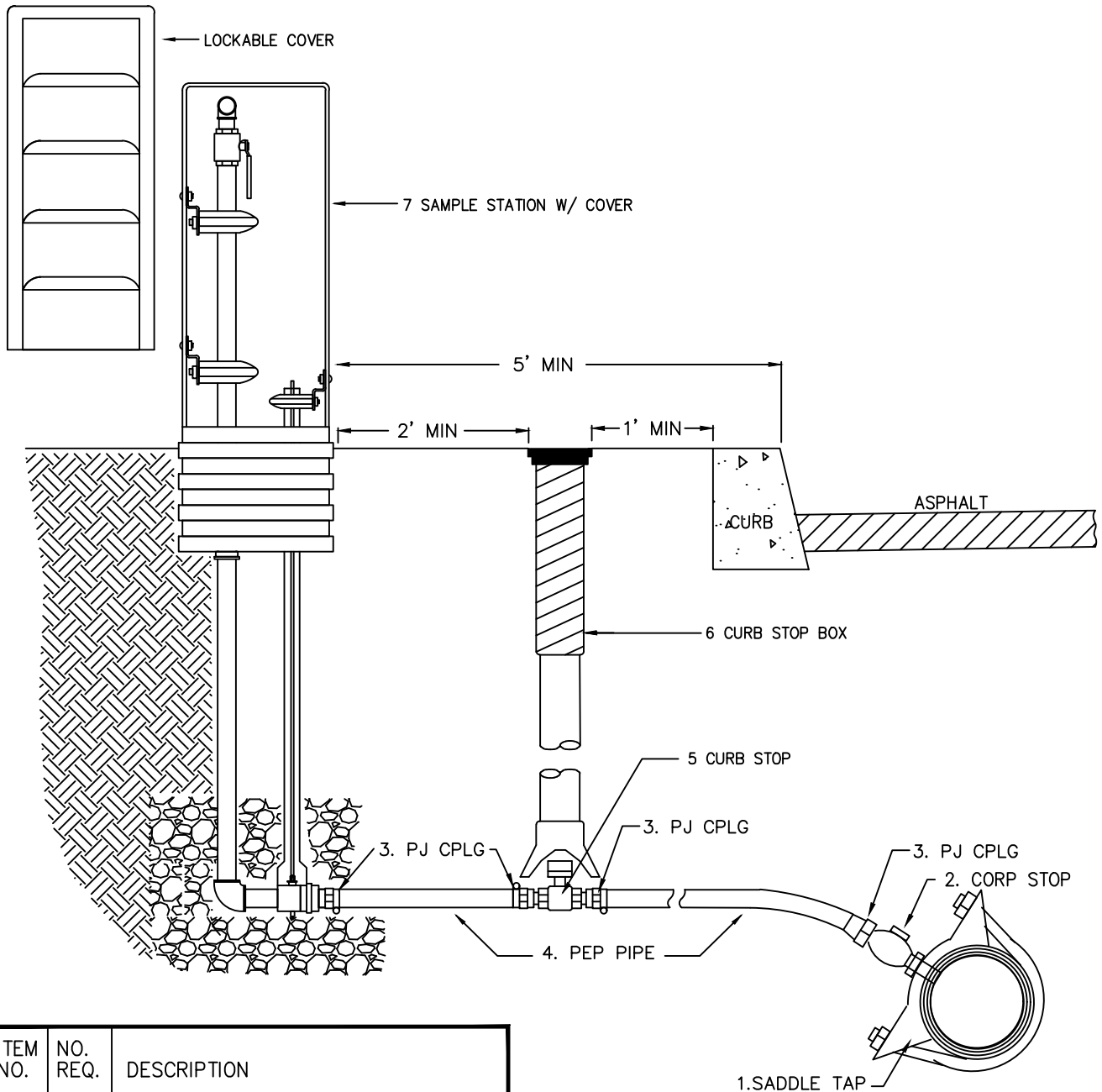


APPROVED SAMPLE STATION INSTALLATION



ITEM NO.	NO. REQ.	DESCRIPTION
1	1	ROMAC DOUBLE STRAP TAPPING SADDLE
2	1	1" BRONZE CORPORATION STOP
3	4	1" PACK JOINT AS REQUIRED
4	2	1" IPS POLYETHELENE PIPE
5	1	1" CURB STOP
6	1	APPROVED CURB STOP BOX
7	1	MUELLER SAMPLE STATION OR EQUAL
8	1	WASHED DRAIN ROCK AS NEEDED

UNLESS OTHERWISE SPECIFIED, THESE APPURTENANCES SHALL BE OF THE MATERIAL SPECIFIED OR SHOWN ON THE PLANS AND SHALL MEET PRESSURE REQUIREMENTS EQUAL TO OR EXCEEDING THE MAIN INSTALLATION AND SHALL BE NSF-61 CERTIFIED.

REVISION	APPROVED	DATE	CITY OF COEUR d'ALENE STANDARD DRAWING	APPROVED BY:		
				<h1>1" SAMPLE STATION ASSEMBLY</h1>	<i>Chris Bosley</i>	4/13/18
			CITY ENGINEER, PE 10604		DATE:	
			DWG NO.		W-49	