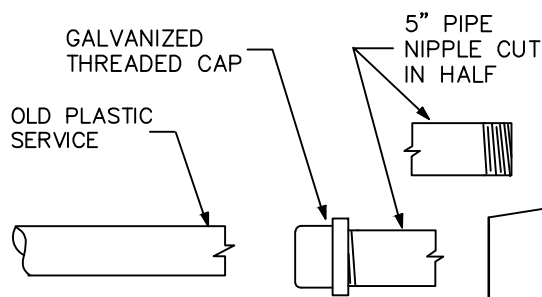
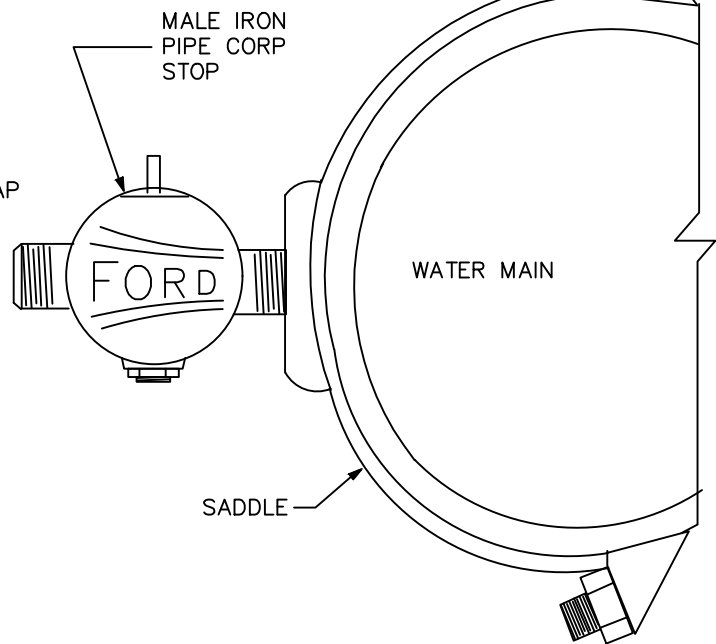
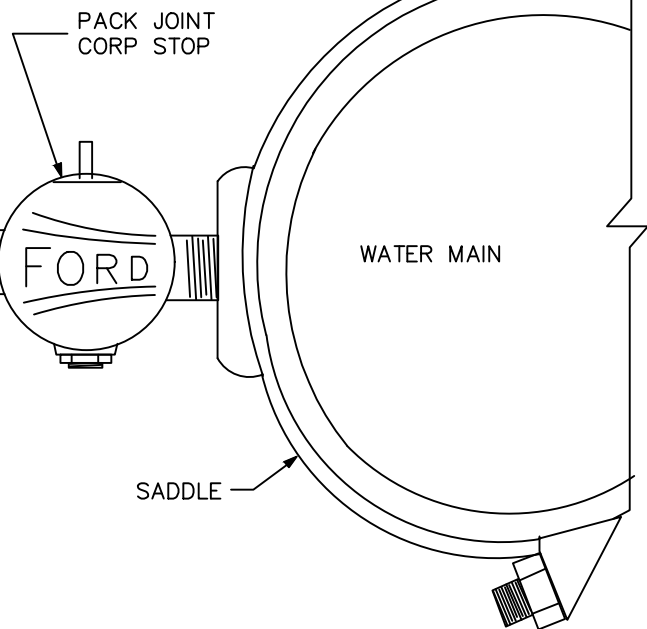


1. Turn off corp stop.
2. Cut nipple between elbows on swing joint.
2. Remove elbow from corp stop and discard.
3. Apply potable water approved sealant or thread tape to corp threads and install cap.
4. If corp leaks slightly, gently tighten bottom nut to seal.



1. Turn off corp stop.
2. Cut existing pipe 12" from corp stop, loosen PJ nut, remove and discard.
3. Saw cut 5" by size nipple in half, apply sealant and cap to nipple.
4. Insert nipple and cap into pack joint nut and tighten as necessary to seal.
5. If corp leaks slightly, gently tighten bottom nut to seal.



REVISION	APPROVED	DATE	CITY OF COEUR d'ALENE STANDARD DRAWING	APPROVED BY:
			SERVICE ABANDONED AT CORP STOP - IPS & PJ	<i>Chris Busby</i> CITY ENGINEER, PE 10804
				4/13/18 DATE:
				DWG NO. W-39