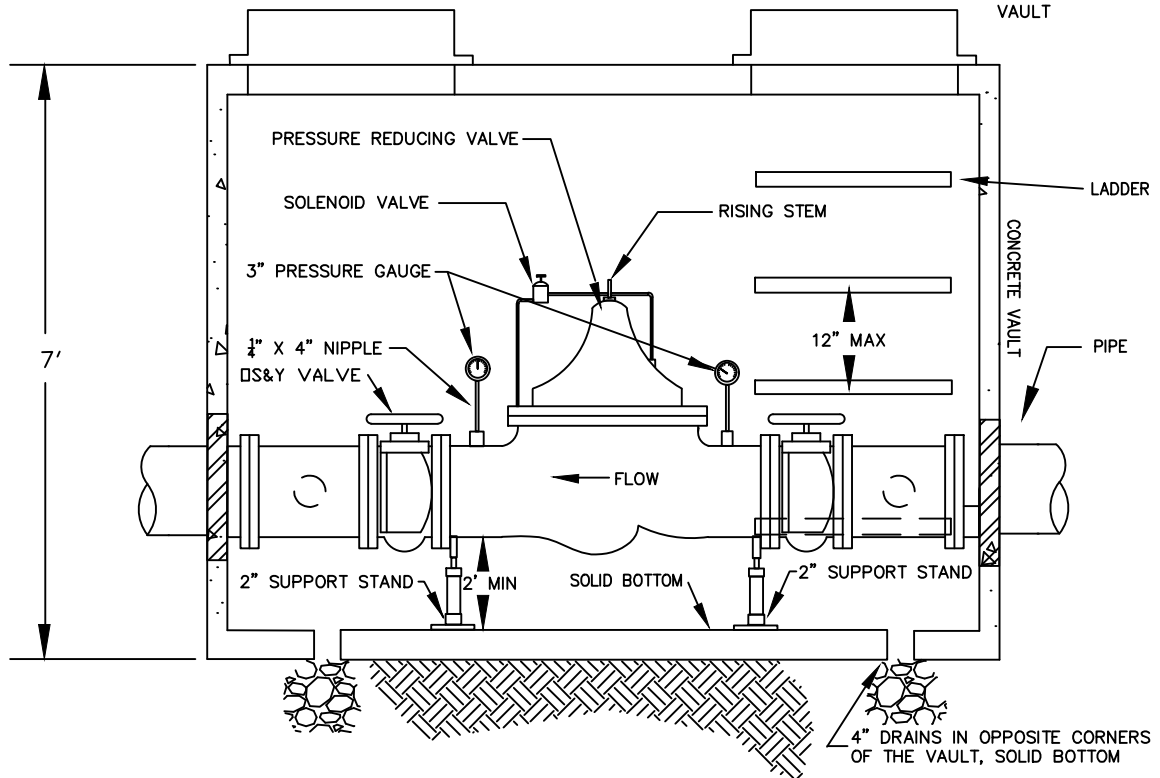


SEE METER VAULT DETAIL,  
STANDARD DRAWING W-17  
FOR 1914 SERIES WILBERT  
VAULT



PLAN VIEW

REVISION	APPROVED	DATE

CITY OF COEUR d'ALENE STANDARD DRAWING

**PRESSURE REDUCING  
STATION ASSEMBLY**

APPROVED BY:

*Chris Busby* 4/13/18  
CITY ENGINEER, PE 10804 DATE:

DWG NO. W-19