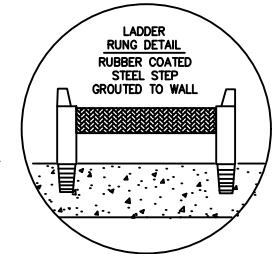
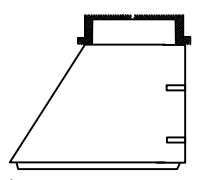
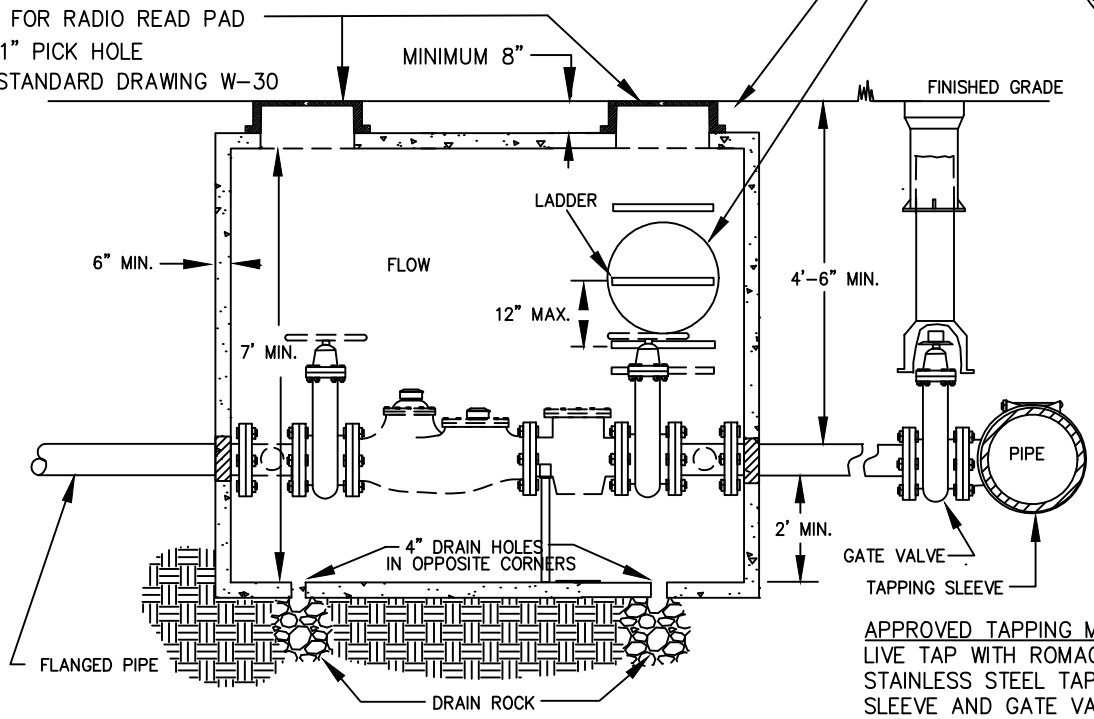


PLAN VIEW

OPTIONAL 24" HIGH
OFFSET MANHOLE CONE
W/ STEPS FOR BURY
DEPTH OVER 30".



24" MANHOLE RING
AND COVER WITH 2"
HOLE FOR RADIO READ PAD
AND 1" PICK HOLE
SEE STANDARD DRAWING W-30



APPROVED TAPPING METHOD:
LIVE TAP WITH ROMAC
STAINLESS STEEL TAPPING
SLEEVE AND GATE VALVE.

NOTES:

SECTION VIEW

1. VAULT CONSTRUCTION TO BE DESIGNED BASED ON POTENTIAL TRAFFIC LOAD. WILBERT 1914 SERIES VAULT W/ INSIDE DIMENSIONS TO ACCOMMODATE ALL EQUIPMENT AS NOTED BELOW.
2. LENGTH AND WIDTH OF VAULT SHALL ACCOMMODATE EQUIPMENT WITH ADEQUATE CLEARANCE FROM WALLS. MUST HAVE APPROVED WALL MOUNTED LADDER RUNGS WITH RUBBER COATING AS ILLUSTRATED.
3. PIPE SHALL BE RESTRAINED TO LAST MECHANICAL JOINT AT TEE AND SHALL NOT USE THE VAULT WALL FOR THRUST BLOCKING.
4. THE VAULT SHALL HAVE A MINIMUM INTERIOR HEIGHT OF 6'.
5. CONCRETE RISER RINGS IN EXCESS OF 8" HIGH SHALL REQUIRE THE INSTALLATION OF ADDITIONAL STEP(S).
6. VAULT SHALL BE INSTALLED LEVEL AND PLUMB TO PROVIDE ADEQUATE DRAINAGE TO 4" DRAIN HOLES.
7. PIPE HOLES SHALL BE CAST MIN 4" LARGER THAN PIPE TO BE USED.

REVISION	APPROVED	DATE	CITY OF COEUR d'ALENE STANDARD DRAWING		APPROVED BY:
			4" & LARGER DOM. SERVICE VAULT SET		 CITY ENGINEER, PE 10604
					DWG NO. W-17